



UI DMS-02v.03

Doorgard

Easy Install
Strip Door Monitor

User Instructions

CONTENTS

- 1. EQUIPMENT DESCRIPTION**
- 2. INSTALLATION**
- 3. PROGRAMMING AND SETTING UP**
- 4. SYSTEM OPERATION**
- 5. TECHNICAL SPECIFICATIONS**
- 6. DRAWINGS – INSTALLATION AND SETTING UP**
 - 6.1 INSTALLATION GUIDE (001/1 – 001/3)**
 - 6.2 ACTIVATING WRISTBAND (001/4)**
 - 6.3 QUICK PROGRAMMING GUIDE (001/5 – 001/6)**
 - 6.4 USE OF DOOR CONTACTS (001/7 – 001/8)**
 - 6.5 QUICK SET-UP FOR DOOR STRIPS (001/9 – 001/11)**

1.0 EQUIPMENT DESCRIPTION

1.1 Ramblegard DMS-02 Strip Door Monitor

This unit is a further upgrade of our successful DMS-01 door monitor.

1.1.1 Overview:

Having some enhanced features, the two strip sensors are installed at each side of a door, or set up in an area and powered from a 12Vdc regulated supply. Power is connected to the free jack socket provided.

These two sensing strips are cabled together and operate jointly to detect an approaching patient wearing a wristband transmitter. An alarm is then generated that can be reset by the choice of using:

- (a) Our wireless remote reset transmitter
- (b) Application of our magnetic key at the position indicated by a blue circle
- (c) A wired, external “normally open” contact
- (d) The alarm reset button on our TTEST-01 test unit
- (e) A wireless, or wired security keypad, or card reader

This “reset” function introduces a delay before the alarm becomes active again. Therefore, it can be used to over-ride/bypass the door monitor alarm while escorting patients through a protected door.

1.1.2 Other functions and interconnections:

- (a) Pre-alarm:

A 12Vdc output is provided to operate an electric door lock. These connections are provided at the top end of the sensor strip units for convenient installation. Upon sensing the approach of a wristband transmitter, the system can provide the 12Vdc output to temporarily apply the electric lock and can activate the buzzer to provide a “pre-alarm” warning to the patient. **This function is selectable at J11 on the PCB (factory default = open – which means no sounder).**

- (b) Door status sensing:

Connections are provided for “normally closed” magnetic door contact. These contacts are used to detect a door being opened and “arming” the door monitor. In this event, a patient approaching an open door will immediately trigger a full alarm.

- (c) Alarm output:

A “pulsed”, or “steady” 12Vdc alarm output is also provided for operation of external light indicators, sounders etc. **The required mode is selectable at J18 on the PCB (factory default = pins 2-3 “steady”. Adjustable to pins 2-1 = “pulsed”).**

- (d) Door monitor digital wireless transmitter option:

When an alarm is triggered, or when reset, the door sensor can transmit a coded digital wireless signal to indicate the events door location and wristband identity at our central monitor (CMU-02) or desktop/care station (CS-01) with LCD display and/or our universal POCSAG remote display interface.

This coded wireless signal transmitted from our door monitor can also be “read-in” to our wireless remote indicator light with call forwarding (ILB-03).

Note that ILB-03 can forward this coded signal to a Ramblegard central monitor with LCD display (CMU- 02/CS-01), low power (10mW) wireless universal remote display interface (HPCON-01), also to our local voice pager with LCD display and vibrate (silent) option (PAG-03).

When operated with our central monitor or care station, our door monitor system will automatically detect and report "fault/out of range" and signal interference. At 6 hourly intervals, if the data from a particular door monitor system is missed by the central monitor for more than 24 hours (4 checks), an alert will be indicated and displayed at the central monitor.

Note that this automatic supervisory wireless transmission by the door monitor (DMS-02) can be disabled by removing the jumper at J15 on the DMS-02 PCB (factory default = Tx on – which means link fitted). This is recommended if the cabled option is to be used in (e) below.

(e) Cabled (wired) data transmit option:

Connections are provided for a 4 core telephone type cable for alarms and other signals to be routed to our central monitor. Connection of this cable at the central monitor is via our junction box (CMJ-01) and requires a 10K resistor to ground to ensure operation.

(f) Wired reset option.

Connections are provided at the bottom end of the sensor strips for a wired reset function e.g. use of external keypad, or other external reset function

These connections are duplicated at the top of the strip sensors for convenience of cabling, connection of keypad etc.

1.2 The patient wristband digital transmitter

For door monitoring, there are two main versions of this device:

1. Patient transmitter (TXP-02(LP)). This utilizes a watch-style strap, or hospital type with non-removable (locked) plastic strap.
2. Warden/caregiver door alarm reset/alarm override transmitter (TXR-02) labeled "RESET".

This patient transmitter is a multi-functional, programmable unit. It can be set up for chosen ID numbers for groups of users in response to particular customer requirements.

A Transmitter Programming Instruction Manual is available. Therefore, any particular customer requirements for coding can be met locally by our distributor.

This software controlled transmitter can automatically detect "low battery" condition and send a signal to alert staff, or caregivers that approximately four (4) weeks of operation remains.

If using our CMU-02 central monitor or CS-01 care station, this "Low Battery" information can be indicated and displayed.

Events and other information can also be indicated and displayed at our central monitor (CMU-02) or CS-01. A typical low battery alert display would be "Battery low: 123" (where 123 indicates the transmitter identity code number).

It is very important that a wristband tester unit (TTEST-01) is employed at each site to allow regular staff checking that the wristbands are transmitting correctly and to indicate any low battery status.

Patient wristbands must be de-activated (password protected) e.g. while held in distributor's stock to conserve battery life and re-activated upon issue to a customer. Directions can be found in the Ramblegard Transmitter Programming Manual.

Ramblegard digital transmitters are FCC certified and comply with Telecommunication (Low Power Devices) standards throughout the world.

Further technical advice and support is available from our Hong Kong office.

2.0 INSTALLATION (refer to drawings 001/1 to 001/11)

Details of the various terminal connections are shown in the drawings 001/1 and 001/3.

2.1 Installation position

This "strip" door monitor is usually installed at the side of a door, as shown in drawing 001/2. Dependent upon the situation, the user may choose to install the monitors close to the side of the door post on each side of the door frame. (2 door strips).

If the door has metal posts/frame, ensure that minimum 300mm spacing is allowed between post and monitor unit.

In exceptional circumstances, especially where short range is required a strip monitor could be installed on the door itself.

2.2 Preparation

This "strip" monitor unit is designed for mounting utilizing the double sided tape provided.

Caution: Although the plastic housing has holes that could be used for screw fixing, these must not be used as there is a risk of a short circuit or damage occurring to the lower side of the PCB. After fixing the plastic strip monitor housing, the PCB inside can slide out of the housing, through the top, or bottom end to expose the various controls for adjustment.

It is important to try to avoid placing the monitor immediately beside any metal objects, such as metal doors, electrical cables, metal cabinets etc as these can affect the performance of the door monitoring system. Following initial setting up of the detection zone, parking of large metal objects within the field of the system (6/8 ft) such as trolleys, beds, etc should be avoided as these will also have an effect upon the detection field of the monitor.

2.3 Power supply

The 12Vdc ac adaptor output cable should be plugged into the wired-in strip monitor power supply cable with jack socket and connected to the ac mains supply, when ready to power up the monitor (see Section 3 below – "Setting Up"). If using a magnetic door contact, or electric door lock, connections are conveniently provided at the top end of the monitor. Note that when using a door lock, an ac adaptor providing minimum 500mA at 12Vdc is required. Where the two strips are used on either side of a door **both** should be connected to the door lock (in parallel) and to the magnetic door contact (in series) if employed (see diagrams 001/1 and 001/3 for details).

2.4 External devices

An external indicating light and/or external sounder may be connected to the alarm output terminals (refer to J18 option).

The connections for the door lock and alarm light at the top of the sensor strips have a 12V dc power source provided and an output that pulls down to 0V via a relay contact (max 1A). Therefore, this only requires a two-wire connection (refer to drawings 001/1 and 001/3). The rating of the ac adaptor must be considered when connecting these external devices to the monitor and advice can be obtained from our technical services division.

Cables for connecting the power supply, door locks, magnetic door contacts, or other external devices should be kept as short as possible and away from the body of the monitor unit, as these will have an effect upon field/detection zone of the system.

3.0 PROGRAMMING AND SETTING UP (please refer to drawings in Section 6)

3.1 Programming

If our CMU-02 wireless Central Monitor with large LCD display or CS-01 care station is to be employed, the door monitor can be programmed to transmit an alarm with a number identifying the particular door and area. The other programmable features are the door lock time (5 second interval settings) and the field detection zone size.

For setting up, first slide PCB out of the end opposite to the power cord. Refer to drawing 001/1. Observe the exposed "Mode" button and door/area ID programming rotary switch.

Note: A single digit "location" code number only needs to be set if there is more than one CMU-02 or CS-01 on the system and you wish to route this door monitor's signals to only one particular monitor. In this case, the CMU-02 or CS-01 would be set for a "matching" single digit (1-7) location number. Otherwise set this door monitor rotary control to zero (0) so it can be received by any central monitor.

3.1.1 Programming door and area identity numbers

To enter "programming" mode, hold down the "Mode" button for around 3 seconds until three (3) rapid beeps with LED flashes are observed, then release the button.

When using two door monitor strips together on one door, it is necessary to program both units with the same door and area number but different door extension numbers. (Usually 1 & 2)

(a) First set the required Door Identity Number (which particular door).

Use a small screw driver to turn the rotary program switch (0 – 15 positions) and set desired Door Identity number. Observe that positions A = 10, B = 11, C = 12, D = 13, E = 14, F = 15.

Press the "Mode" button once and the unit will beep/flash once to acknowledge.

Note: When more than one sensor strip is used on a door, when an alarm is activated a wireless signal is automatically sent to activate its partner sensor strip having the same door ID code. This ensures that both monitors activate when protecting the same door, or area.

(b) Next (while still in "programming" mode), set required Area Number

Turn the rotary program switch to desired area number. ("0" up to "7", only).

Press the "Mode" button once and the unit will beep/flash to acknowledge.

Setting a zero (0) will allow the signal to be accepted by all central monitors.

(c) Now set the door extension number.

As two strips are normally used on a door/area, the left hand strip is usually set to “1” and right hand strip is set to “2”. This code is required to set correct delays on “alarm” and “reset” to ensure the wireless signal is received by the central monitor. Also, to identify which door strip is faulty in the case of a failure being detected by the central monitor using the self checking procedures.

Press the mode button again.

(d) Set Door Lock Application Time

If electric door lock/s is to be used, you can now set the door lock application time using the same rotary switch. Note that this switch sets multiples of 5 seconds.

If the door is closed, the lock/s will be immediately applied when a wristband comes within the detection range of the door monitor and will be released a short time later. No main alarm is triggered in this situation. Automatic lock release timing is dependent upon the setting of this rotary switch in five second intervals (approximately).

During the “lock/s applied” time the buzzer can emit a “steady” sound (selectable at J11) as a pre-alarm warning and to indicate to the patient that the door is locked. For example, setting “3” = 3 x 5 = 15 seconds, or setting “5” = 5 x 5 = 25 seconds etc.

When the lock is released after the set “time-out”, should the door be opened (activating the “normally closed” magnetic door contacts) and the patient still be inside the detection zone a main alarm will immediately be triggered. Staff is required to “reset” this main alarm at the particular door/area.

Note: Setting “0” at the rotary switch permanently applies the lock, until the alarm at the monitor is reset.

Now, press the “Mode” button once again and the unit will beep/flash to acknowledge.

A few seconds later, the sensor strip will automatically leave programming mode and return to “normal” operation.

3.2 Setting up detection zone (refer to drawings 001/9 to 001/11)

In normal alarm operation, this “strip” monitor features an array of red LED lights inside the translucent cover. A number of LED’s are used to indicate “alarm on” (patient transmitter signal sensed - door contact open), one LED is used for “signal sensed”. - no alarm (door contact closed).

Please refer to the Ramborgard Transmitter Programming Instruction Manual. To carry out testing and setting up for the door monitor detection zone, a TXP-02(LP) patient wristband transmitter should be pre-programmed for test operation with the system.

This transmitter can then be used to test the door monitor range/detection zone. Refer to drawings 001/9 to 001/11 for recommended set-up procedure.

If magnetic door contacts are fitted and during this range setting/test procedure, each time the door monitor has triggered in response to receiving and sensing the signal from the patient test transmitter programmed (TXP-02(LP)) wristband transmitter, it will either trigger the “pre-alarm” warning or a main alarm if the door is already opened.

The adjustment procedure for setting up a door/area monitor detection zone/range is as follows:

- (a) First adjust the 16 way rotary switch (SW2) to a mid-way setting.
- (b) Wearing a pre-programmed patient wristband transmitter, from a distance walk slowly towards the door sensors.
- (c) When the door monitor detects the signal from this patient transmitter an alarm or pre-alarm will be generated.
- (d) The distance between the patient transmitter and door monitor at the time when the alarm or pre-alarm is generated indicates the approximate detection range/zone of the door monitor.
- (e) The actual operating range as set at the strip sensors can then be adjusted at the rotary switch provided in the sensor strip.
- (f) Approaching a door that is closed and having the magnetic contacts fitted will result in a “pre-alarm” warning. If the door is already open, this will result in a “main alarm” being activated.

Note:

It is recommended, for safety purposes that the range of the door monitor zone is set as long/sensitive as is feasible for the site to ensure more time to detect the wristband approaching the zone, but avoiding any false alarms occurring from other patient wristbands further away.

3.3 Finally testing performance of the detection zone (refer to drawing 001/11)

3.3.1 General.

Before the system can be tested, it is first necessary to check the patient transmitter unit (TXP-02(LP)) is switched on using the TTEST-01 test unit.

Note:

TXP-02(LP) transmitters can be switched off only by entering “programming mode” and entering the password as described in the Ramblegard transmitter programming instructions. Should a particular patient wristband transmitter not be active (already switched off), the following steps should be followed:

- (a) Please refer to drawing 001/4. Use a magnet or Caregiver key (CK-01) to activate the transmitter.
- (b) To “switch on” a patient wristband transmitter, place the magnet/Caregiver key in contact with the patient transmitter body (as indicated in the drawing 001/4) and observe the red LED inside.
- (c) Continue to hold the magnet in this position for approximately three seconds. After this period, the red LED inside the transmitter will “blink” three times. The unit is now activated (switched on) and emitting signals that can be detected by the door monitor.

If the wristband is then worn and taken into the detection zone, the strip sensors will detect these signals. Should the range of the detection field need to be adjusted, it is necessary to follow the procedure described above and selecting a setting resulting in more, or less range, as required.

Notes:

1. These wristbands and door monitors are wireless devices and in practice the actual range for activation of the door alarm can only be approximate. Therefore, the range will vary slightly from one activation, to another.

2. The sound level of the sensor strip buzzer can be adjusted by turning VR1 with a small “crossed” screw driver (clockwise to reduce level - see PCB and diagram 001/1).
3. Any other controls not mentioned in this instruction manual are used for factory settings and should not be adjusted in the field.

3.3.2 Checking performance

Check the performance of the door monitor by carrying an active patient wristband transmitter and walking towards the door from a starting point, say 20ft from the sensors.

As the door/area is approached, the wristband signals should be detected by the sensors at the approximate distance required from the door. If the distance is too great, or too small re-run the procedure with the set up transmitter as described above but you should note that settings are approximate only. The important point is to make sure this approximate distance is first set correctly using the set-up transmitter.

For example, if you set the sensors initially to a “5” (on the rotary switch) sensitivity setting and you find the range could be set longer (remember set the range as long as the site will allow you too), you should try a “4” setting since this is a more sensitive setting and therefore has longer range.

If you require a shorter range then use a “6” setting (less sensitivity = lower range) and so on.

Note: The number actually indicates the signal level during set-up. Therefore a higher number indicates a higher signal is required to be received from the transmitter and therefore shorter range.

As you are using two sensor strips, you have to set-up each strip in turn. Usually they will be set to the same sensitivity level “number”. Due to variations on each site, they may need be set differently to suit the requirement.

3.3.3 Wristband low battery auto detect and report

Each patient wristband (TXP-02(LP)) will detect “low battery” and automatically transmit a signal to be indicated by an LED on the door monitor. This “low battery” condition will be also indicated on our TTEST staff wristband tester (if held within 1.5m of the wristband), CMU-02 central monitor, CS-01 care station or HPCON-01 wireless universal remote display equipment etc.

The door monitor will transmit a signal to be indicated and displayed with the particular wristband ID number at a central monitor (if employed), or TTEST unit (if in range). When “low battery” is reported, there are approximately four weeks of reliable life remaining for the particular wristband.

It is recommended that every door monitor site employs our TTEST wireless tag reader to allow regular staff checks of wristband signals and battery condition.

4.0 SYSTEM OPERATION

This door monitor may be used for normally open or normally closed doors.

4.1 Normally open door

(No door contact fitted, or using sensors fitted in a corridor area)

If a patient wearing the wristband enters the detection zone, a full alarm will immediately be triggered. This is indicated by the red LED's flashing and the sounder on – “steady while any door lock is on and “pulsing” after door lock time-out. Refer to J11.

An activated alarm will be transmitted to be received by a wireless central monitor, or other display and indication device (if employed). The risk of any unwanted alarms can be reduced by fitting a PIR detector (see drawing 001/8).

This alarm can be reset remotely by a care attendant approaching the door and pressing the button on a wireless reset transmitter, entering the correct code on the wireless keypad or by presenting the optional magnetic proximity key at the point indicated on the door monitor unit (blue circle). It can also be reset (if within range) by using our TTEST staff tester and control unit.

4.2 Normally closed door with pre-warning (see drawing 001/7)

A magnetic door contact can be fitted. If a patient wearing a wristband enters the detection zone, the local sounder is activated (pre-alarm warning) and if fitted the door lock energized (refer to J11 option). While the door remains closed, the door monitor does not activate any main alarm.

Should the door be opened (following the pre-selected lock/s applied time), an alarm will immediately be activated and transmitted to a central monitor, or other display and indication device to be indicated as a full alarm.

Upon receiving the pre-warning, the patient should retreat from the sensor detection zone. After a short period the door lock will be released (unless set to always be “on” i.e. time setting zero (“0”)). If the door is now opened no alarm is activated provided the patient is no longer within range.

4.3 Full alarm reset/bypass

A full alarm at the door monitor can be reset by a caregiver using either the remote wireless reset transmitter, magnetic proximity key etc. This reset transmitter may also be used to “bypass” the door alarm for a preset period of time to allow a patient wearing a wristband to be escorted through a protected door. Other devices may be employed to reset/bypass the door alarm (refer to “Reset” terminal on connector shown in drawing 001/1 and 001/3).

4.4 Functionality

This Ramblegard system uses ultra-low power digital radio approved to FCC (USA), OFTA, CE standards and meets regulatory requirements world wide. Each patient transmitter periodically emits signal bursts at approximately 400mS (0.4 second) intervals and each has a programmable individual digital code.

The door monitor unit incorporates a wireless “data” receiver that detects and reads the identity of each transmitter. It can simultaneously receive a number of transmitters passing through the detection field.

Separate field strength receivers are built into the monitor unit to detect and analyze the strength of signals emitted from nearby wristband transmitters and therefore the approximate distance from the doorway.

All alarms can be forwarded to a Central Monitor with large LCD display or CS-01 care station, or other display and indication device.

4.5 Patient transmitter programming and battery saving

As standard procedure, patient wristbands are supplied pre-programmed with factory standard ID numbers and with the transmitter de-activated (switched off) to conserve the battery.

A simple procedure for activation (switch on) of a “dormant” wristband transmitter is described in section 3.3.1 above and in drawing 001/4.

Programming information describing how to set individual ID numbers and/or de-activate (switch off) the wristband transmitter is provided in the Ramblegard Transmitter Programming Instruction Manual.

5.0 TECHNICAL SPECIFICATIONS

5.1 Door monitor unit

- 1) Operating Frequency: 315/433.92MHz
- 2) Operating Power
 - (a) Current for door monitor, but no door lock, or flash light <100mA
 - (b) Current for door monitor with one door lock and flash light < 400mA
- (c) Ac mains adaptor (for regional ac voltage input): Regulated 12Vdc 500mA (UL/CE approved).
- 3) Magnetic door contact, or PIR connection: Uses “normally closed”, volt-free magnetic contact between the “Contact” and 0V terminals.
- 4) Maximum rating for relay output contacts: 1A (e.g. for door lock)
- 5) Combined remote transmitter “Reset” and “Escort” function.
- 6) Adjustable buzzer volume (Internal)
- 7) Automatic “Out Of Range” and “Interference” detection with alert (used with Central Monitor)
- 8) Dimensions of housing: 720mm x 30mm x 20mm.
- 9) Narrow band receiver to help prevent interference.

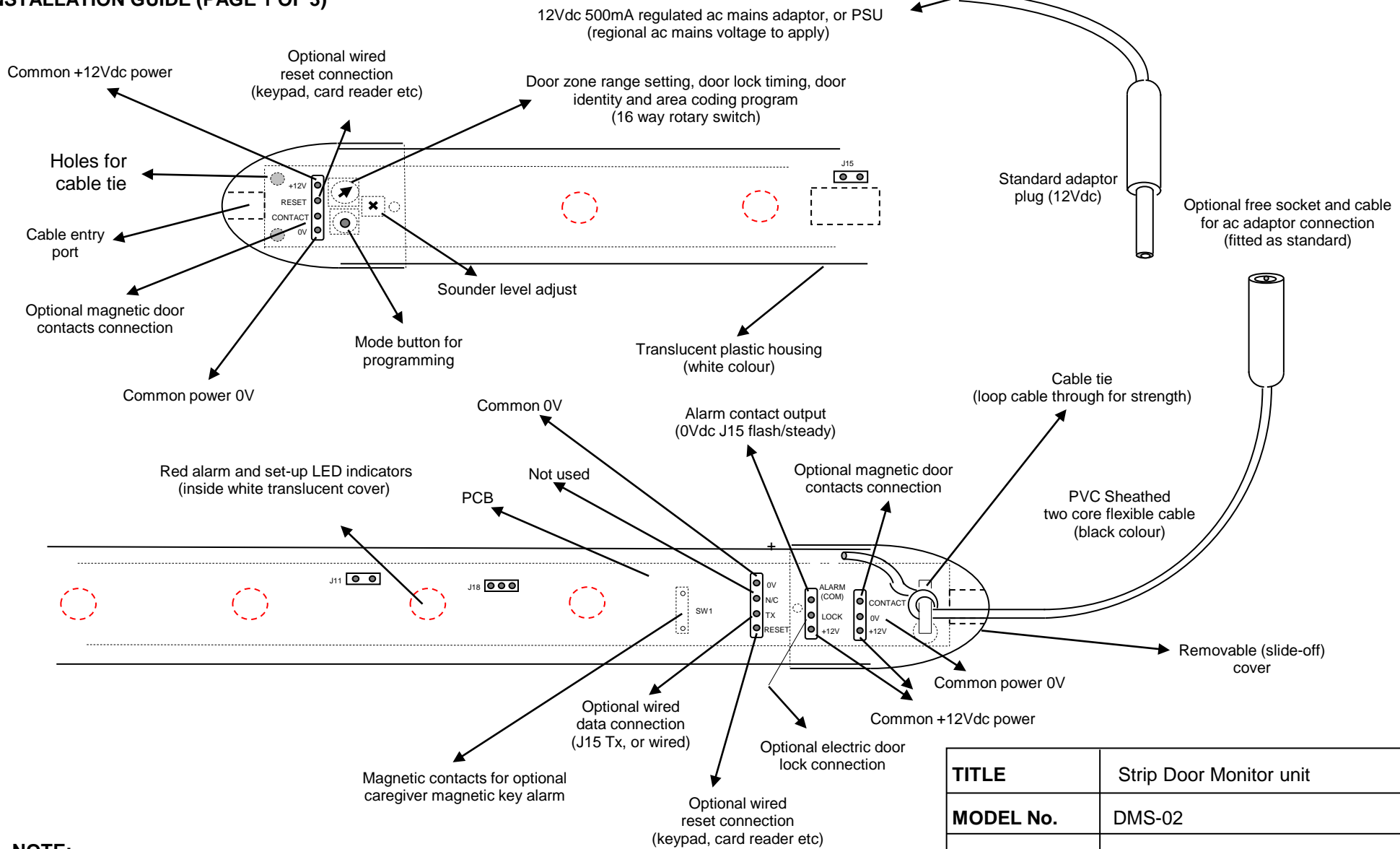
5.2 Patient wristband transmitter (TXP-02(LP))

- 1) Approved radio frequency 315MHz. (Low power FCC ID No. PHNTXW01), or 433.92MHz. Narrow band digital wireless
- 2) Operating Range: Adjustable at door monitor (typical 2-8 meters)
- 3) Periodic digital transmissions: Approximately 400mS.
- 4) Extended battery life.
 - (a) Battery saving activate/de-activate function using a magnet or Caregiver key (CK-01)
 - (b) Normal use (always on): Typically 1 year

(c) Continuous out-of-service “shelf life”: of the order of 5 years (Typically 10% battery life reduction per year).

- 5) Low battery detection and alert
- 6) Unique identity coding
- 7) Unit programming function (password protected)
- 8) Error checking (check sum)

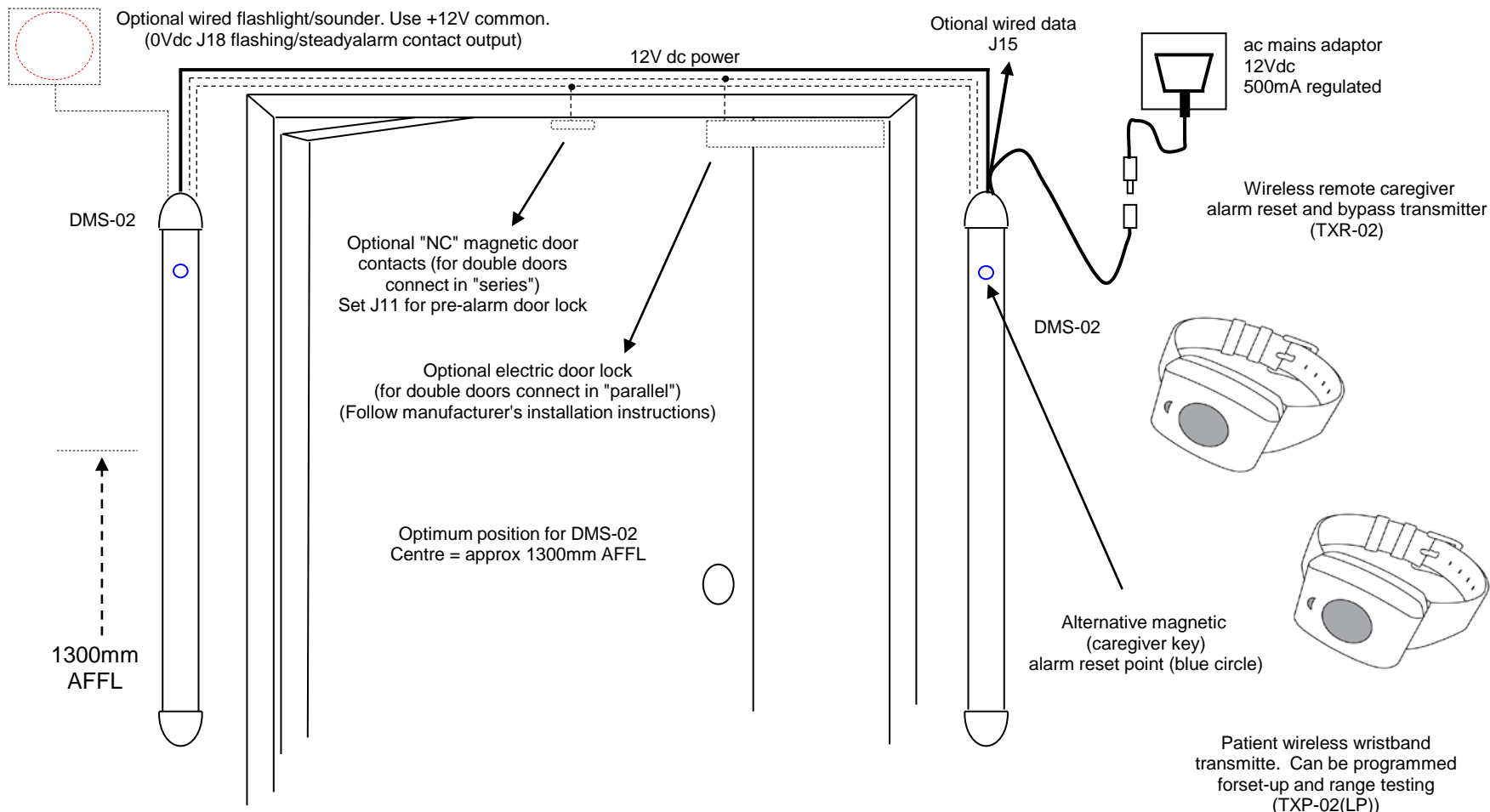
INSTALLATION GUIDE (PAGE 1 OF 3)



NOTE:

Use standard Ramblegard ac adaptor (ACCE-04,) or power supply of sufficient capacity if door locks are to be connected.
For detailed wiring connections, refer to drawing 001/3

TITLE	Strip Door Monitor unit
MODEL No.	DMS-02
DRAWING No.	001/1V2
DATED	29th November 2007



TITLE	Strip Door Monitor
MODEL No.	DMS-02
DRAWING No.	001/2V3
DATED	12th May 2010

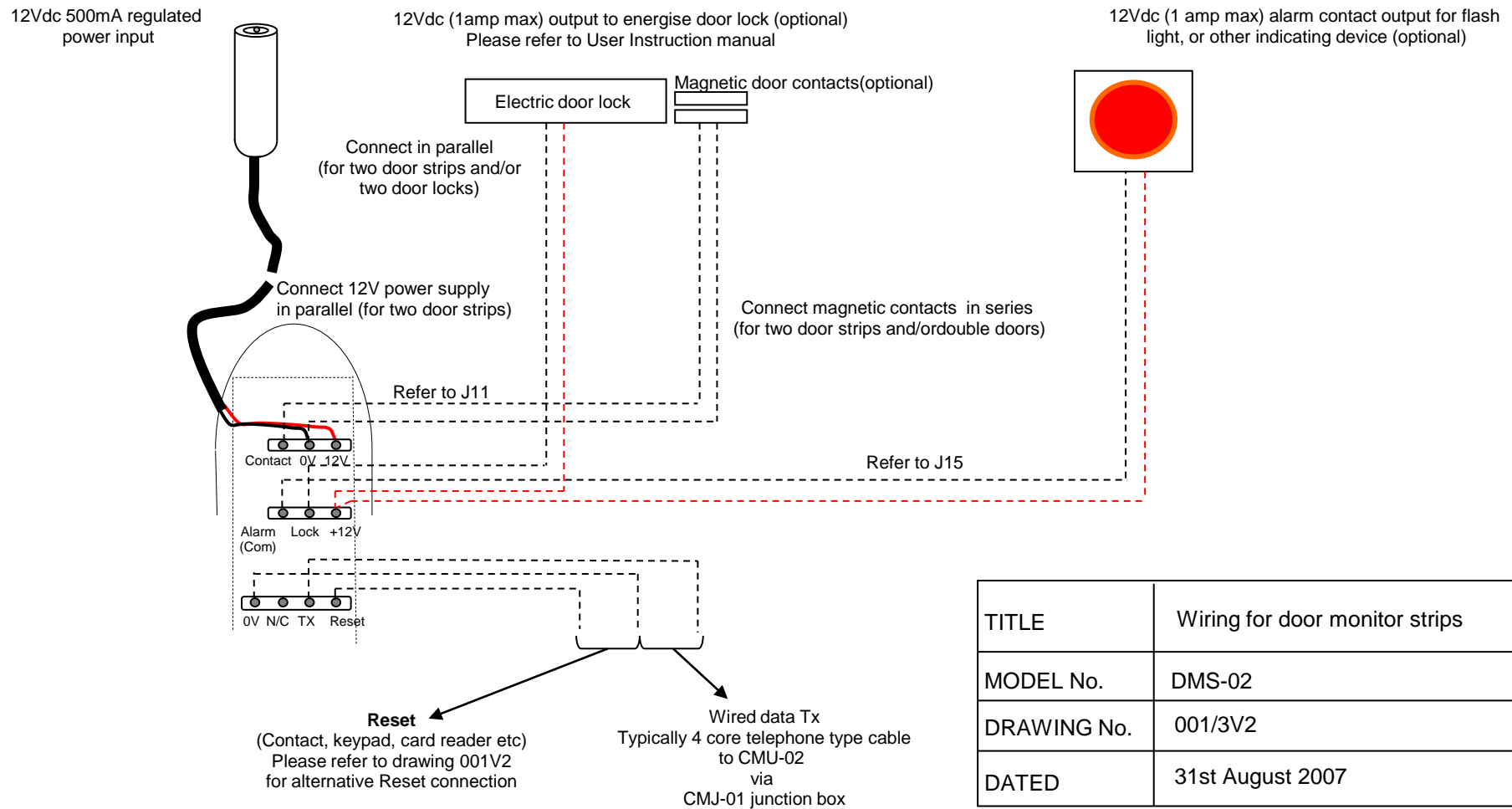
Note:

In this case, the sensor strips should be mounted near to the door post. If metal door posts allow minimum 300mm clearance. Please refer to the User Instructions for setting up.

INSTALLATION GUIDE (PAGE 2 OF 3)

INSTALLATION GUIDE (PAGE 3 OF 3)

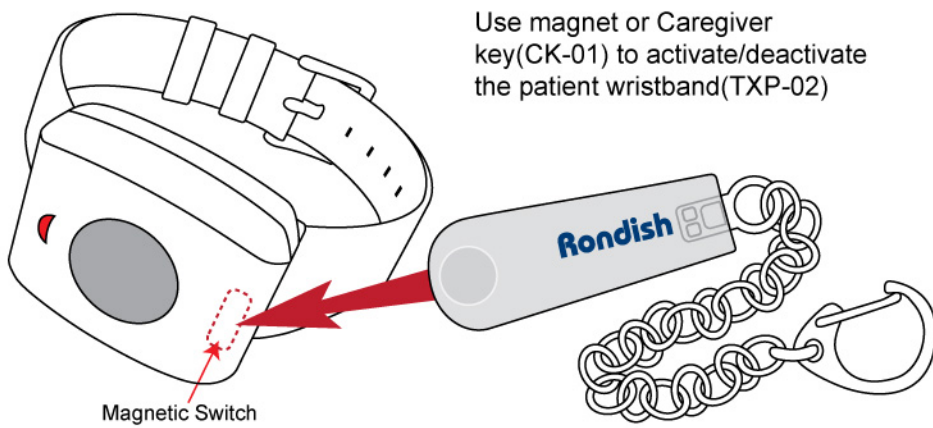
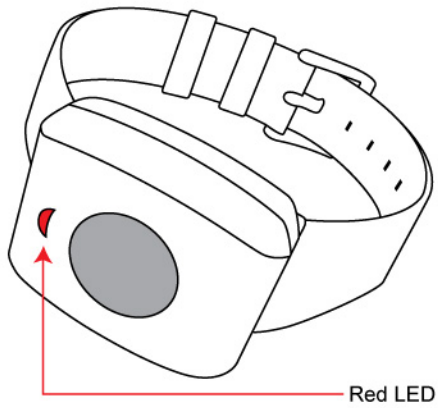
NOTE: Power, Lock and Magnerc Door Contact connections are duplicated at both ends of strip sensor units unit for convenience of connection.



TITLE	Wiring for door monitor strips
MODEL No.	DMS-02
DRAWING No.	001/3V2
DATED	31st August 2007

ACTIVATING (SWITCH ON) WRISTBAND

Patient Wristband (TXP-02) Low Power (LP)



TITLE	To activate (switch on) wristband Tx
Model No.	TXP-02 (LP)
Drawing No.	001/4
DATED	12th May 2010

STRIP DOOR MONITOR QUICK PROGRAMMING GUIDE

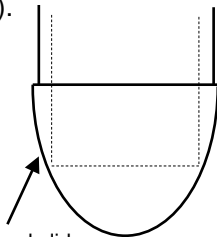
Introducton:

On the door strip monitor you can program the following items

- 1. Set door number on rotary switch 0-15(F) Identifies door number at Central Monitor
NOTE: When two door monitor strips are used same door it should be set the same to allow to work together
- 2. Set area code/number on rotary switch 0-7 Must match the particular Central Monitor setting. Refer to CMU-02 User Instructions. Set to zero if want to receive by all CM.
- 3. Set door "extension" number 0-6 When two, or more monitor strips are used for the same door. Sets left side to one and right side to two and so on by multiple door strips with same door number. set to zero if only one door strip used.
- 4. Set door lock/s timer 0-F Sets door lock/s applied timer in intervals of 5 seconds. NOTE: setting "0" = no time-out (continuous application of locks during alarm).

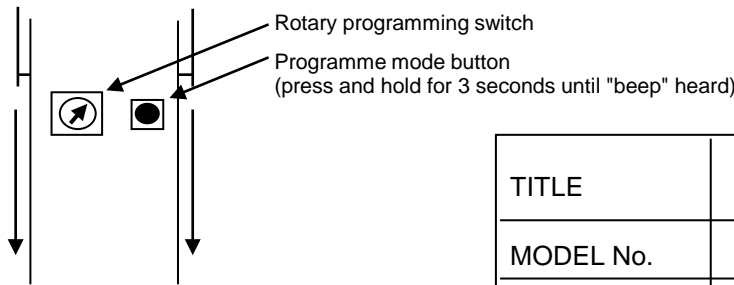
Step 1:

Remove cap at bottom of strip unit at opposite end to magnetic caregiver key alarm reset point (blue circle).



Slide off cap and slide out PCB at bottom of monitor strip

Step 2:



TITLE	Quick Programming Procedure
MODEL No.	DMS-02
DRAWING No.	001/5
DATED	31st August 2007

DOOR MONITOR QUICK PROGRAMMING PROCEDURE

Step 3:

- (i) Press and hold programme mode button until you hear three(3) fast beeps.
Set door number on rotary programming switch.(1-F)
- (ii) Press mode button until you hear one (1) "beep".
Set area code number e.g. "0" will be received by any Central Monitor.
- (iii) Press and hold programme mode button until you hear two (2) beeps..
Set door "extension" code (required when two, or more monitor strips are used for one door). This code is set e.g. on the first strip monitor as 1 and a second strip on the same door as 2. note. Set to zero if one unit or used with older versions of door monitors.
- (iv) Press and hold programme mode button until you hear three (3) beeps.
Set door lock time number. These are set at 5 second intervals - example 3=15 seconds
5 = 25 seconds, F(15) = 75 secs. Note. 0 = always on in alarm.
- (v) Press program button until hear 2 beeps and after a few seconds unit will beep 4 times and exit program mode.

Testing after programming a door monitor

You now need to test into a central monitor by setting off an alarm with a wristband and checking door number displayed. If central monitor does not receive the alarm you may need to check the area code is set correctly. (set central monitor to zero area code and try again to test if this is the problem). **NOTE:** If the area code on the central monitor is set differently to the door monitor (unless one is zero) it will not receive the signal.

If two door monitors are programmed to the same door number i.e. on the same door and you find the signal is not reliable to the central monitor especially when a door contact is used and during a alarm reset this probbaly means the door extension number has not been set correctly. Try reprogramming the units ensuring these are set to different numbers. (eg 1, 3, etc)

Check the door lock time (buzzer steady on) is correct (usually set to 15 secs) with a watch etc.
That concludes the tests.

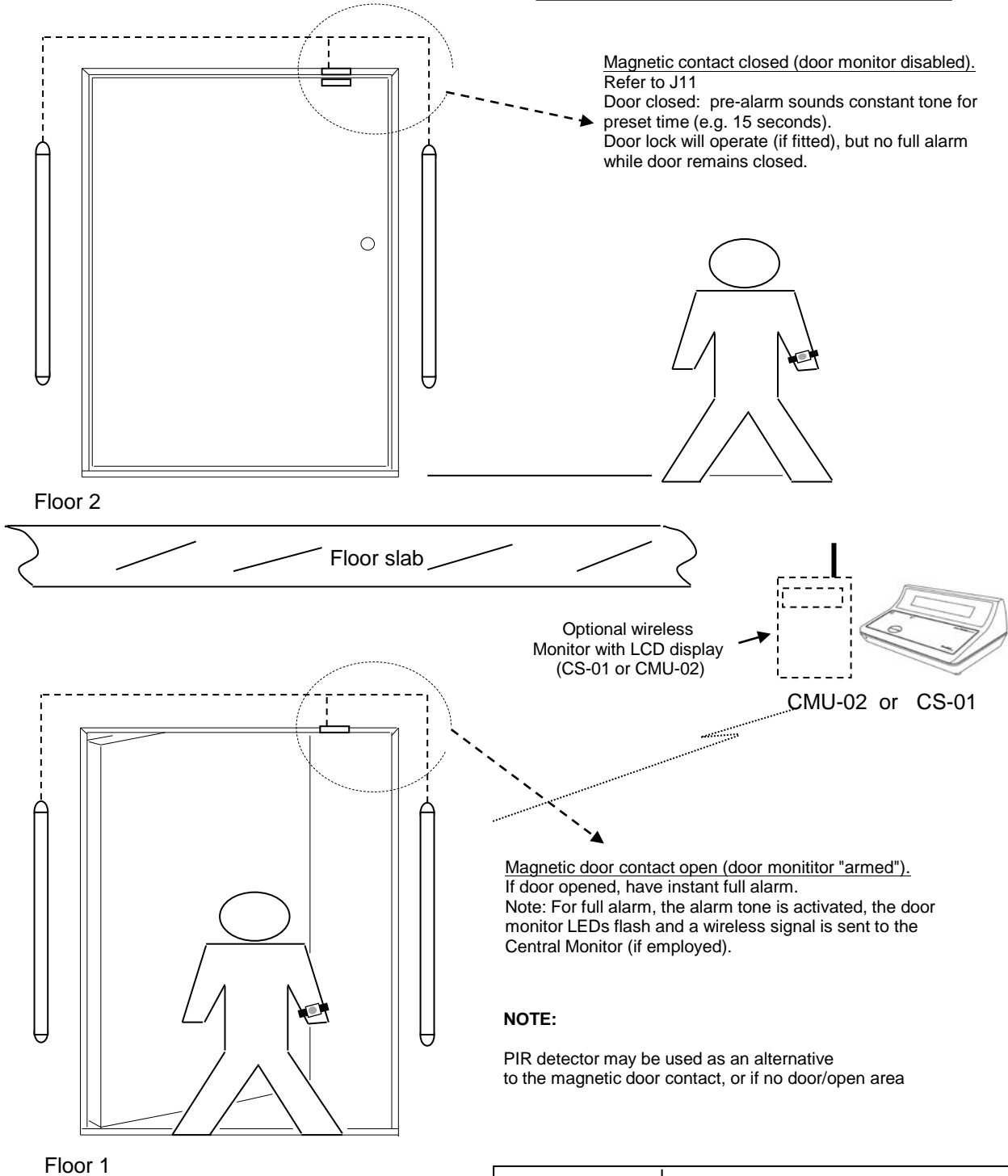
TITLE	Quick Programming Procedure
MODEL NO.	DMS-02
DRAWING NO.	001/6
DATED	31st August 2007

USING DOOR CONTACTS, OR PIR TO AVOID FALSE ALARMS

NOTE:

Due to the nature of electromagnetic signals and in operating wireless door monitoring systems, it should be noted that while a very high level of accuracy is achieved, 100% accuracy can not be guaranteed.

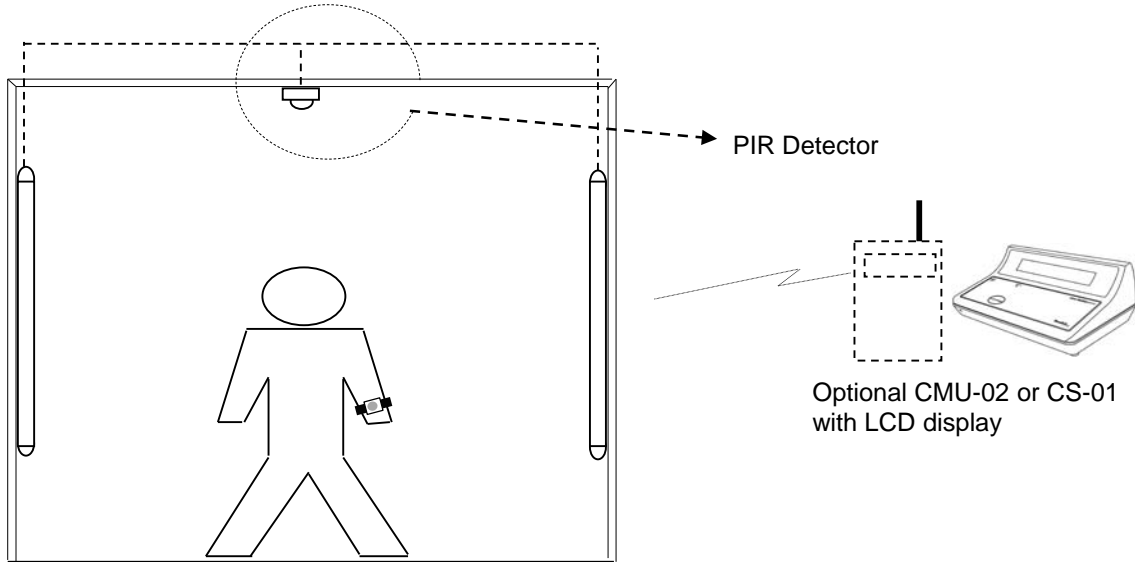
1. Magnetic contacts



TITLE	Multi-door monitor/multi-floor
MODEL No.	DMS-02
DRAWING No.	001/7V3
DATED	12th May 2010

USING DOOR CONTACTS, OR PIR TO AVOID FALSE ALARMS

Fitting a PIR detector can help reduce unwanted alarms in a close environment.
 For example, in a corridor with no doors, or open door operation
 Connect PIR to strip monitor magnetic door contact terminals
 Wire PIR 12V power in parallel with door strip power terminals



In this case, alarm is only allowed when the PIR is triggered.

NOTE: This is useful to reduce unwanted alarms when wristbands are carried near to the door monitors e.g. on the other side of a wall, or (less likely) on a floor above, or below.

NOTE:

Due to the nature of electromagnetic signals and in operating wireless door monitoring systems, it should be noted that while a very high level of accuracy is achieved, 100% accuracy can not be guaranteed.

TITLE	Corridor/no door operation
MODEL No.	DMS-02
DRAWING No.	001/8V3
DATED	12th May 2010

Strip Door Monitor quick setup procedure

Introducton:

Setting up the DMS-02 strip door monitor has been made easy using the TXP-02(LP) patient tansmitter for range test. **NOTE:** Do not press the program button on the monitor unit. Also, please note that maximum range of the unit (rotary switch at zero) is around 5-8 meters. You should first program the door strip monitors before setting up.

Step 1:

Set rotary switch on monitor/s to mid-point (7). An LED should be "blinking" slowly to indicate "ready".

Step 2:

Fit TXP-02(LP) transmitter unit on wrist and ensure it is switched on using the magnet/Caregiver key (CK-01) (Please refer to drawing 001/4). If magnetic contacts are fitted and standing near to the door, you should see another LED flashing to indicate "signal detected".

Step 3:

Move away from the door monitor until this flashing "signal detected" LED stops completely. Next, move back towards the door until this signal LED flashes again. This point indicates the approximate set up detection range for the door monitor installation.

Step 4:

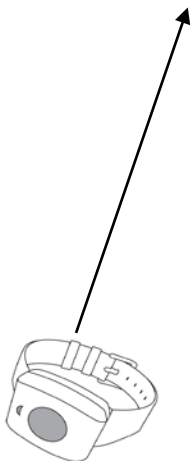
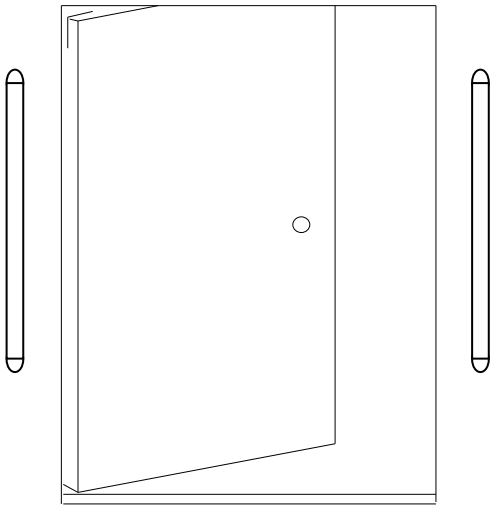
If you require more range (longer distance from the door), reduce the setting of the monitor rotary switch to 6. For less range (shorter distance from door), set the rotary switch to 8.

Step 5:

Continue to adjust the setting of the rotary switch/s and repeat testing until the required range is obtained.

You may now close the door monitor housing and range setup is complete.

TITLE	Quick Setup Procedure
MODEL No.	DMS-02
DRAWING No.	001/9V3
DATED	12th May 2010



Wearing the range test transmitter wristband(TXP-02(LP)), walk slowly towards the door monitor

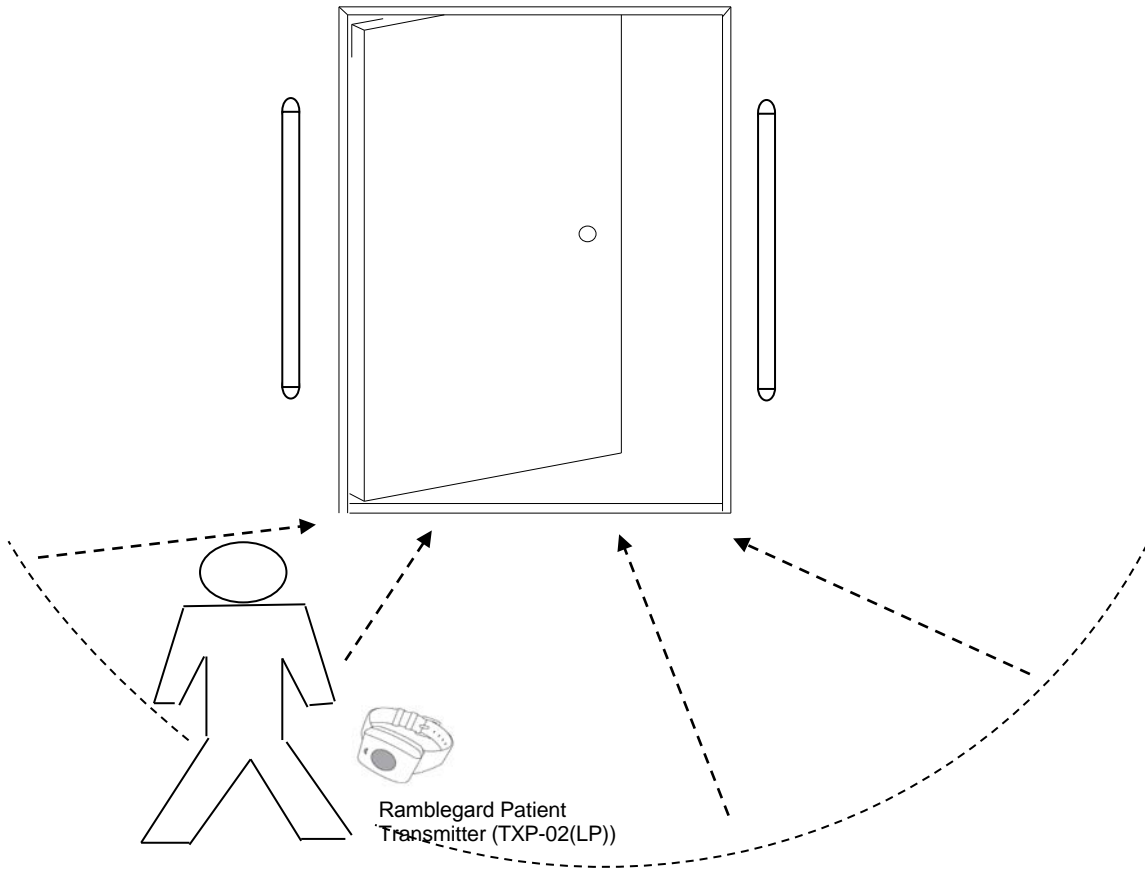
For setting up detection zone/range, please refer to User Instruction (Page 7 section 3.2)

- (a) start with door zone range rotary switch to a mid-way setting (7)
- (b) Using the range test transmitter, walk towards the door monitor
- (c) When the LEDs flash and a beep is heard, the monitor has detected the signal from the test transmitter. The distance between transmitter and door monitor at that time indicates approximate door zone range setting.
note. Only 1 beep (the first) indicates an alarm condition.
higher number = lower range/smaller detection zone.
- (d) Using a patient wristband, the door monitor alarm will be triggered. The electronic coding of the test transmitter indicates range, but does not trigger any alarm.

Note: Please refer to drawing 001/5. Adjust rotary switch and repeat range test as necessary until required door zone performance is obtained.

TITLE	Set up the Strip Door Monitor
MODEL No.	DMS-02
DRAWING No.	001/10V3
DATED	12th May 2010

DOOR STRIP QUICK SET-UP



- (a) Switch on/activate a patient tracking wristband by referring to the User Instruction (Page 8 section 3.3.1)
- (b) Refer to USER INSTRUCTIONS section 3.0. Wearing a wristband on the wrist, test by walking towards the door/zone from different directions. If set correctly, the door monitor should alarm before you reach the door.

Note: Settings are approximate only, so repeat set-up and test again, if necessary.

TITLE	Test the Patient Transmitter
MODEL No.	DMS-02
DRAWING No.	001/11V3
DATED	12th May 2010